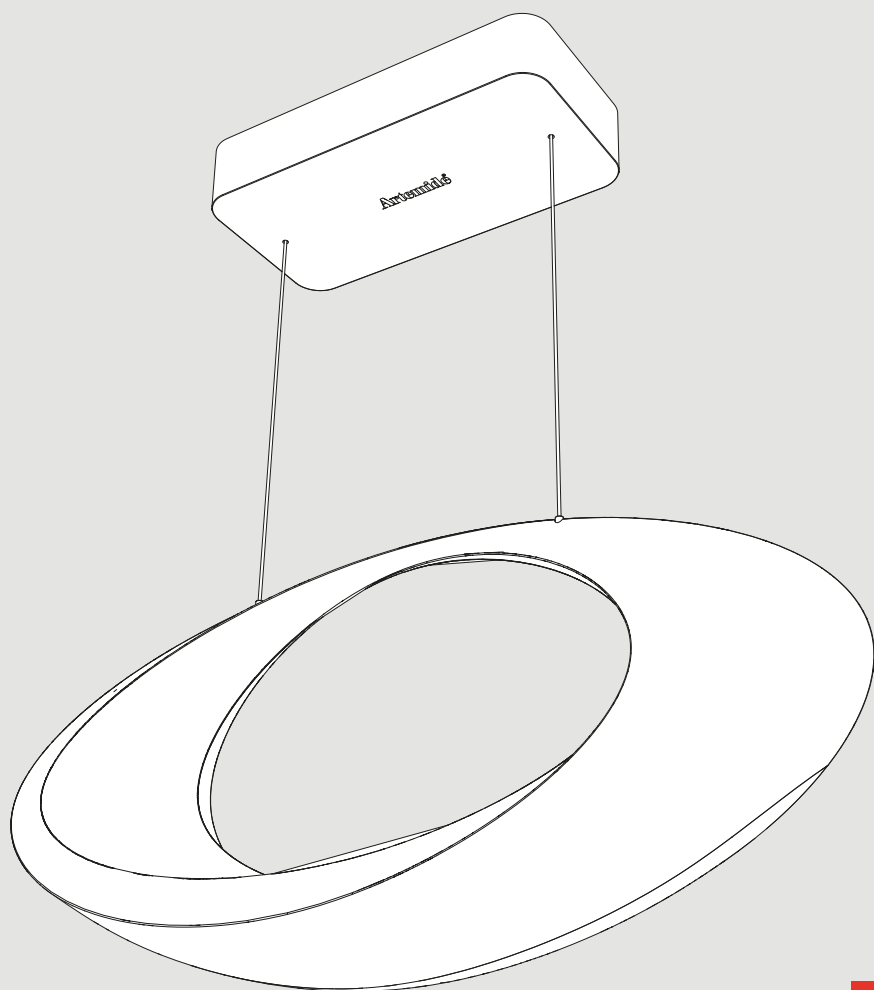


Artemide®

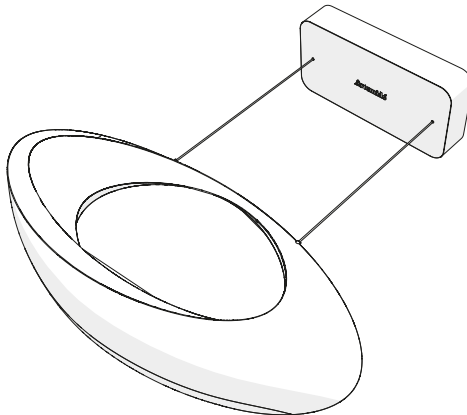
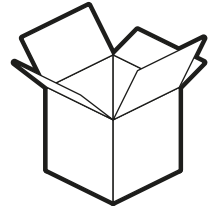
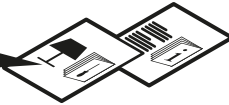
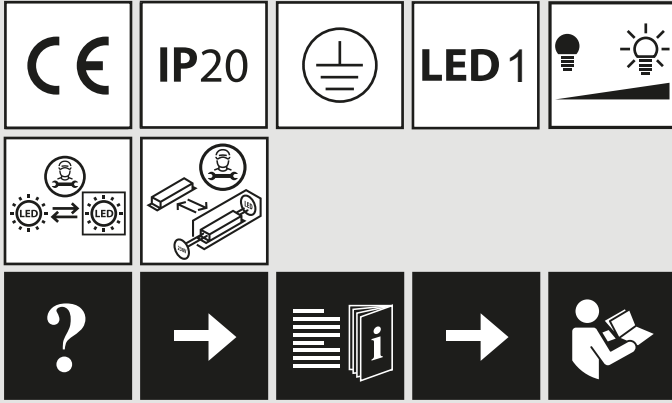
Cabildo

design
E. Solè

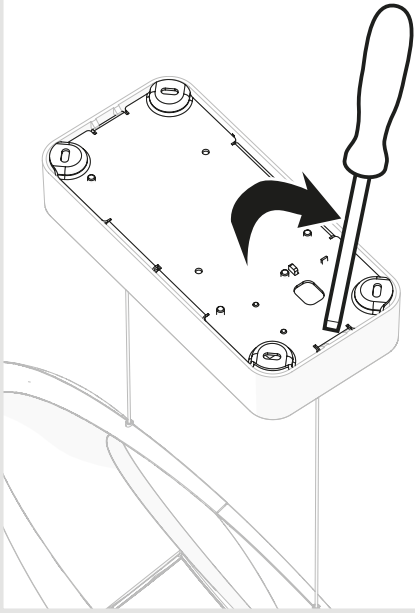




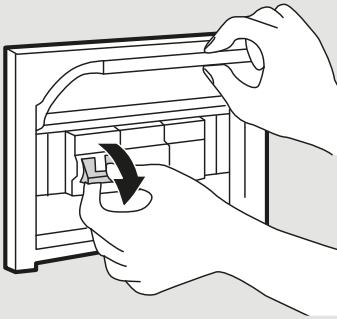
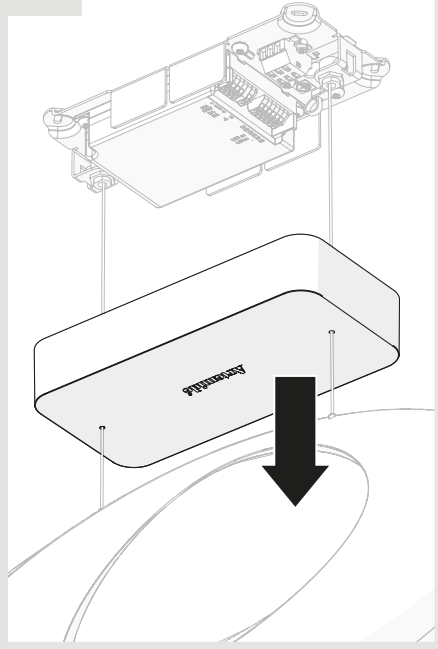
i



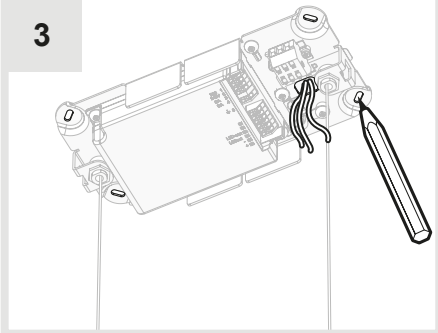
1



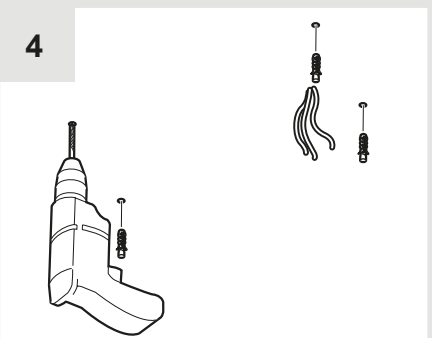
2



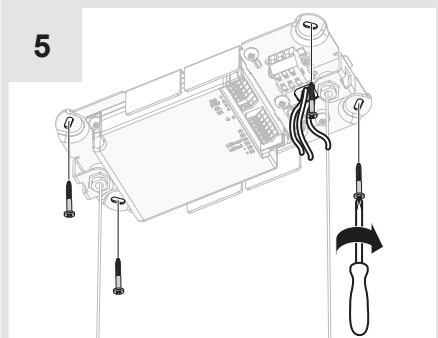
3

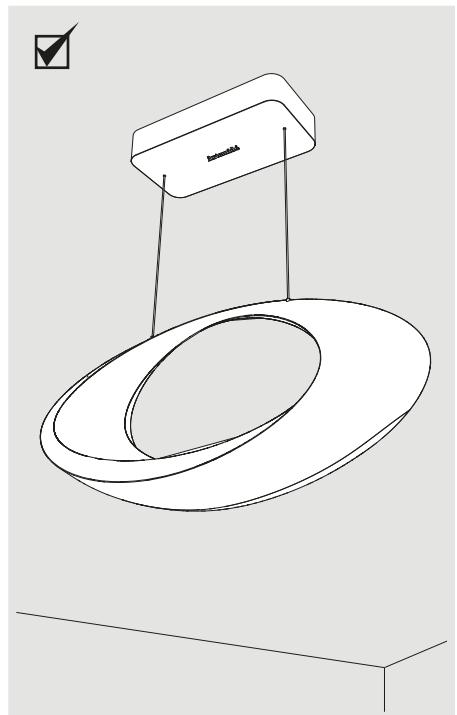
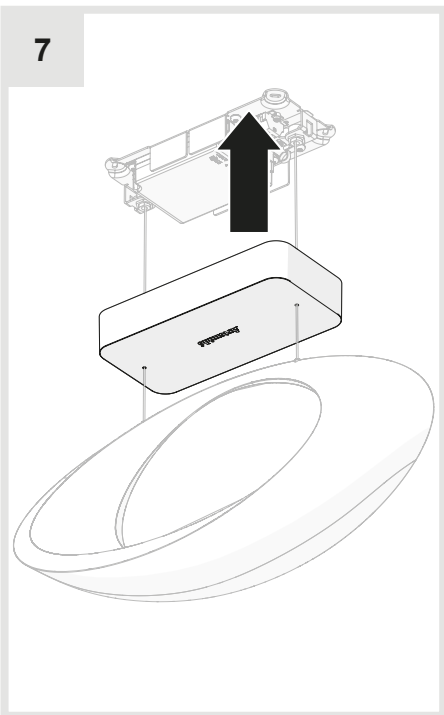
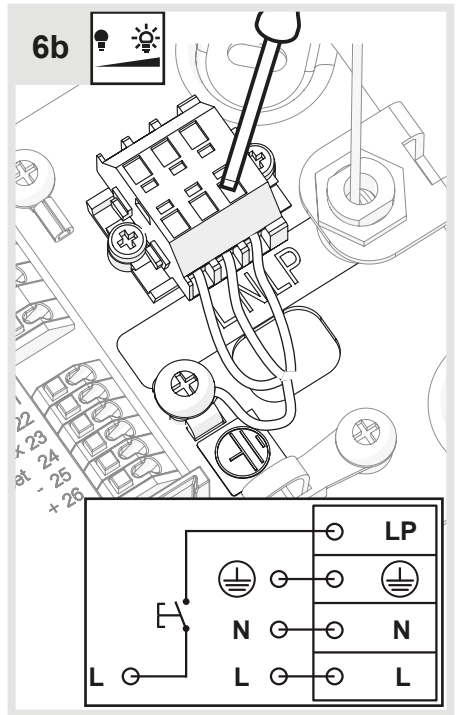
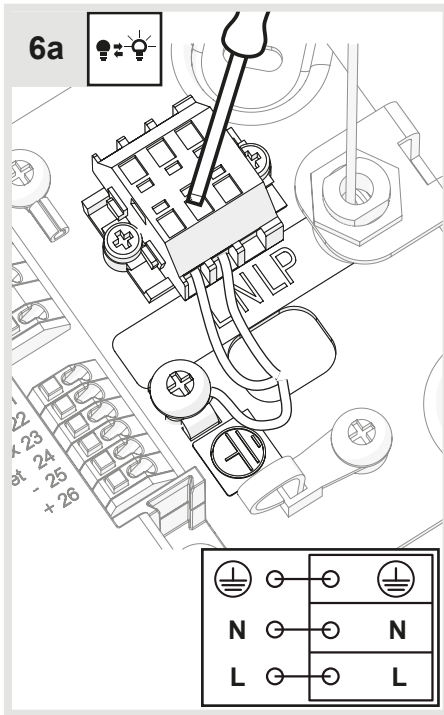


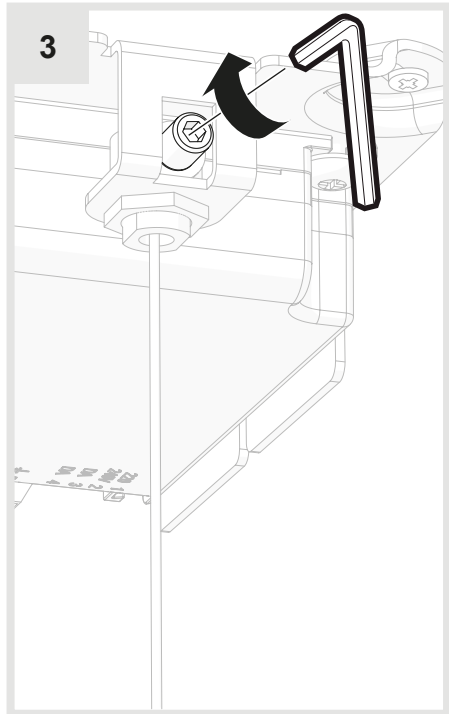
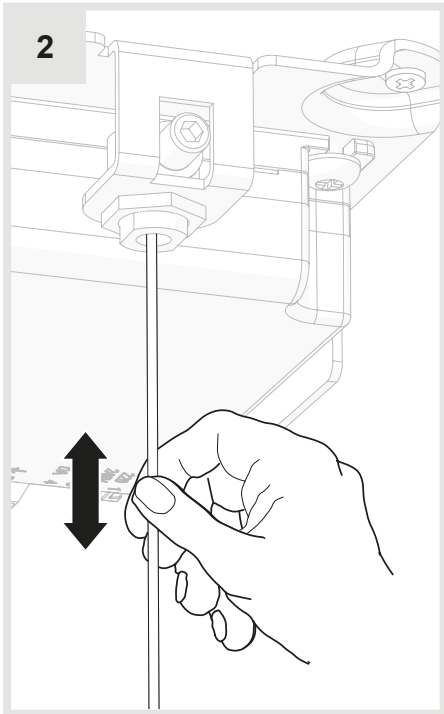
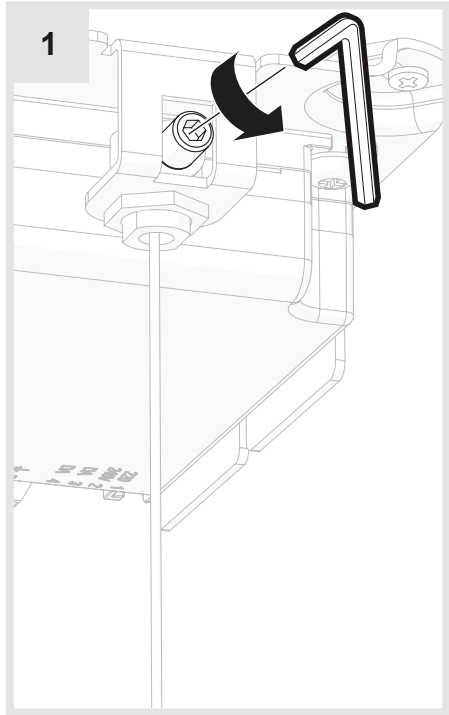
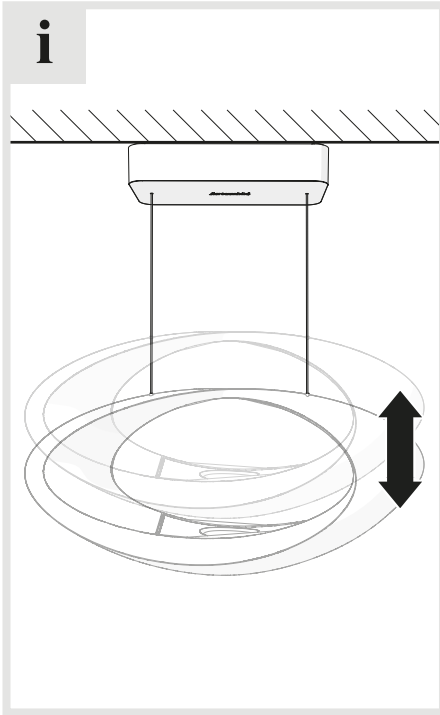
4

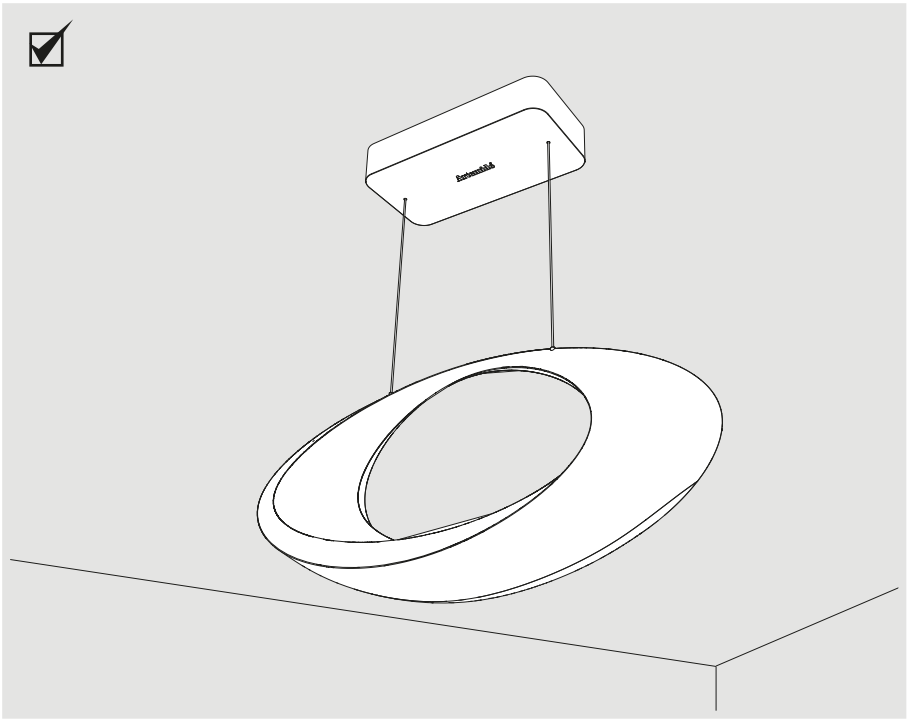


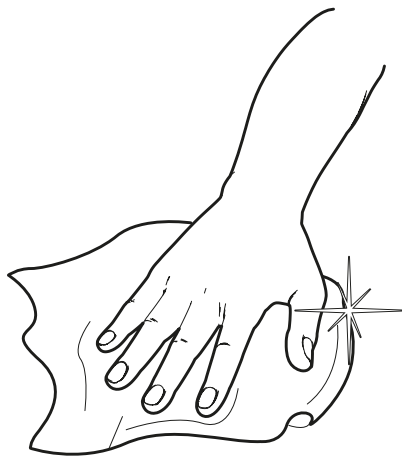
5



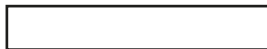








Artemide®



Artemide

via Bergamo, 18
20006 Pregnana M.se (MI)
ITALIA

tel. +39 02 935 181
fax +39 02 935 90 254
fax +39 02 935 90 496

www.artemide.com

VAT IT00846890150

cod. Y513000391A