

FLOS

F0300000 Steel

Arco

Designed by Achille and Pier Giacomo Castiglioni, 1962

Halogen - 70W



Floor lamp providing direct light. White Carrara marble base. Satin-finish stainless steel telescopic stem. Pressed, polished and zapon-varnished aluminum swiveling and height-adjustable reflector.

Are you a professional and your project needs consulting and support?

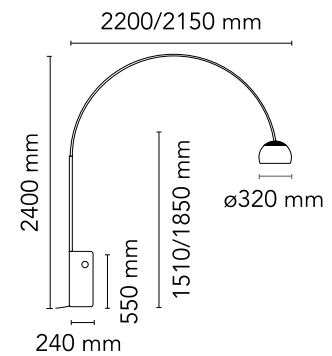
[BOOK AN APPOINTMENT](#)

Main specifications

EAN	8059607000946
Mounting	Floor
Environments	Indoor dry location
Light Source Type	Bulb
Lamp category	Halogen
Lamp holders	E27
Ilcos	HSGSA/S
Number of heads	1
Power (W)	70

Physical

Colour	Steel
Length (mm)	2200
Cord length (mm)	2500
Net weight (kg)	63.4
Package height (mm)	0
Package width (mm)	0
Package length (mm)	0
Package volume (m3)	0.13
IP internal	20

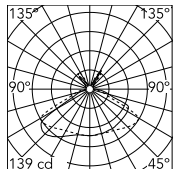


Download

Mounting instructions	PDF
Mounting instructions	PDF
Spare Parts	PDF



Schematic light drawing



Photometric

Lighting type	Direct
Light distribution	Asymmetric

Electrical

Insulation class	II
Frequency (Hz)	50/60
Main voltage (Vac)	220-250
LED voltage Vf (Vdc)	null
Plug type	Type C
Batteries inside	No

Bulbs

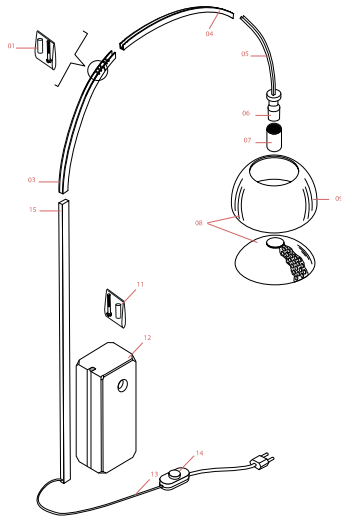


NOT INCLUDED

RF32771

LED Lamp 11W Im E27 220-
240V 2700K A60

Spare Parts



01.	Pins and screw set	RF0300200
02.	Stem and channels EneC assembly with on/off switch	F0330000
03.	Long inox channel	RF02970
04.	Medium inox channel	RF02971
05.	Small inox channel with lamp holder integrated	RF02972
06.	Lamp holder with joint	RF0300300
07.	Anodized sleeve	RF02593
08.	EneC reflector and grid	F0320000
09.	Polished reflector	RF00797
10.	Polished grid	RF01411
11.	Fixing screw with joint	RF0300100
12.	Marble base	F0310000
13.	Electrical wiring assembly with on-off switch	RF04724
14.	Black d/661 on-off switch	RF04392
15.	Inox stem	RF21041

DOWNLOAD



RF0300200

Pins and screw set



F0330000

Stem and channels EneC assembly with on/off switch



RF02970

Long inox channel



RF02971

Medium inox channel



RF02972

Small inox channel with lamp holder integrated



RF0300300

Lamp holder with joint



RF02593

Anodized sleeve



F0320000

EneC reflector and grid



RF00797

Polished reflector



RF01411

Polished grid



RF0300100

Fixing screw with joint



F0310000

Marble base



RF04724

Electrical wiring assembly with on-off switch



RF04392

Black d/661 on-off switch



RF21041

Inox stem