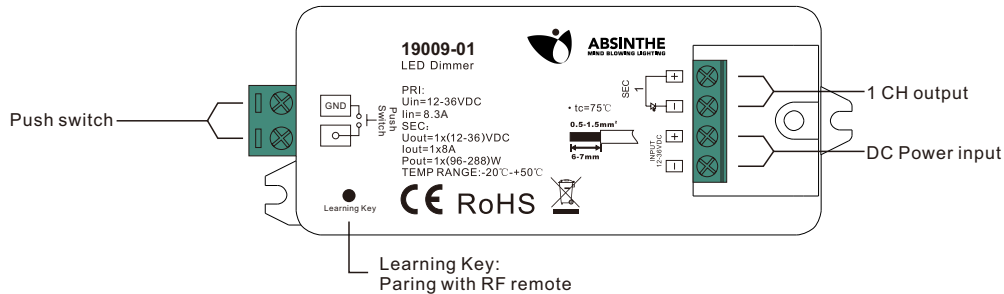


Important: Read All Instructions Prior to Installation

Function introduction



Product Data

Input Voltage	Output Current	Output Power	Remarks	Size(LxWxH)
12-36VDC	1x8A	1x(96-288)W	Constant voltage	95x37x20mm

- Radio Frequency : 868/869.5/916.5/434mhz
- Waterproof grade: IP20

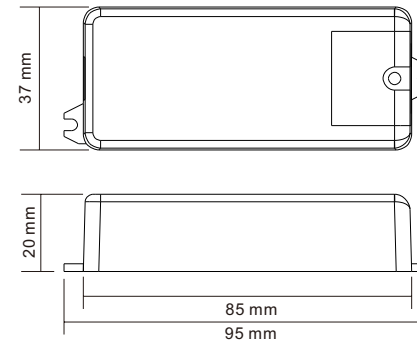
Pair/delete the pairing with RF remote

1. Do wiring according to connection diagram.
2. Pair RF Receiver with RF remote: please refer to the instruction of the remote that you would like to pair with.
3. Delete the pairing:
 - (1) Wire up the RF receiver correctly, power on.
 - (2) Press and hold down the “ **Learning Key** ” button on receiver for over 3 seconds until the connected light flashes, which means well deleted.

PUSH DIM:

While connected with PUSH LV, click the button to switch ON/OFF lights. Press and hold down the button to increase/decrease light intensity.

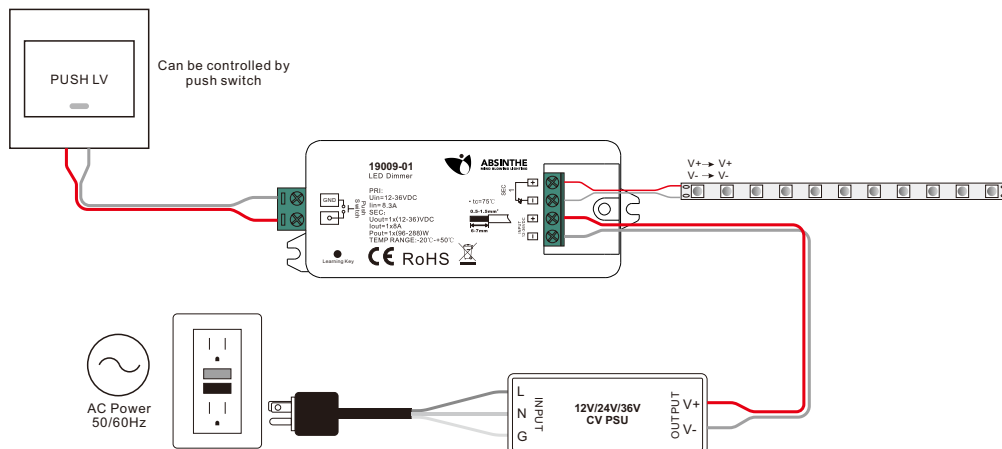
Product Dimension



Safety & Warnings

- DO NOT install with power applied to device.
- DO NOT expose the device to moisture.

Wiring Diagram



CE MARKING

This product complies with all of the relevant European guidelines and regulations. For radio equipment Sunricher declares that the radio equipment in this manual conforms with the 2014/53/EU directive. If applicable, the full text of the EU Declaration of Conformity can be found on www.sunricher.com.